

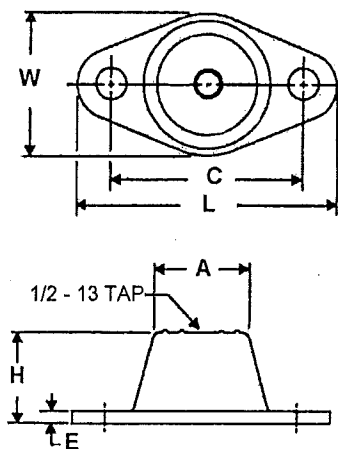
Sound Isolation

The low sound level of the AGZ chiller is suitable for most applications. When additional sound reduction is necessary, locate the unit away from sound sensitive areas. Avoid locations beneath windows or between structures where normal operating sounds may be objectionable. Reduce structurally transmitted sound by isolating water lines, electrical conduit and the unit itself. Use wall sleeves and rubber isolated piping hangers to reduce transmission of water or pump noise into occupied spaces. Use flexible electrical conduit to isolate sound transmission through electrical conduit. Spring isolators are effective in reducing the low amplitude sound generated by scroll compressors and for unit isolation in sound sensitive areas.

Vibration Isolators

Vibration isolators are recommended for all roof-mounted installations or wherever vibration transmission is a consideration. Table 2 lists isolator loads for all unit sizes.

Neoprene-in-Shear Dimensions



Color Code	L	W	H	B	C	D
Gray	5.5	3.37	1.75	0.5	4.12	0.56
Black, Red	6.25	4.62	1.62	0.5	5.0	0.56

Spring Isolator Dimensions

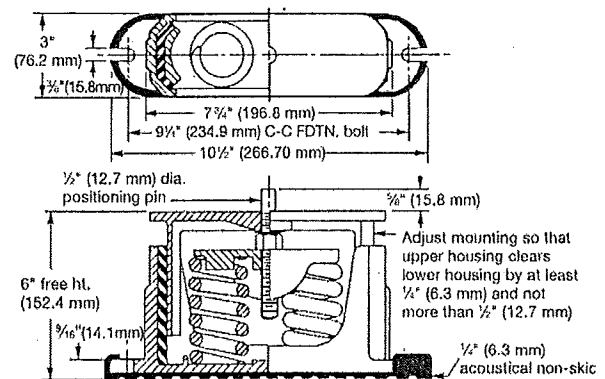


Figure 15 shows isolator locations. See Dimensional Data starting on page 36 for detailed mounting hole locations.

Isolators are also recommended for slab installations, primarily to keep the unit base from resting its entire length directly on the slab.

Isolator Installation

The unit should be initially installed on shims or blocks at the listed free height. When all piping, wiring, flushing, charging, etc. is completed, adjust the springs upward to load them and to provide clearance to remove the shims or blocks.

Installation of spring isolators requires flexible piping connections and at least three feet of conduit flex tie-ins. Piping and conduit must be supported independently of the unit.

Figure 15, Isolator Locations

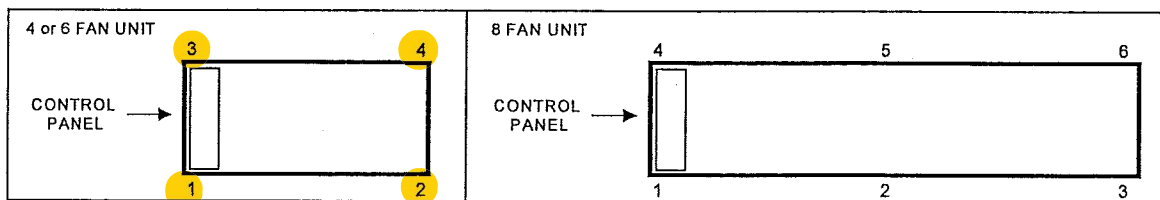


Table 2, AGZ-BS/BH, Isolator Loads At Each Mounting Location (With Aluminum Fins)

Unit Size	No. of Fans	1		2		3		4		5		6		Total Unit		(1) Copper Fin Add	
		lb	kg	lb	kg	lb	kg	lb	kg	lb	kg	lb	kg	lb	kg	lb	kg
026B	4	1281	580	941	426	1020	462	748	339	-	-	-	-	3990	1807	72	32
030B	4	1297	588	952	431	1032	467	759	344	-	-	-	-	4040	1830	72	32
035B	4	1283	581	942	427	1069	484	786	356	-	-	-	-	4080	1848	72	32
040B	4	1360	616	940	426	1082	490	748	339	-	-	-	-	4130	1871	72	32
045B	4	1377	624	952	431	1148	520	793	359	-	-	-	-	4270	1934	72	32
050B	4	1384	627	1016	460	1153	522	847	384	-	-	-	-	4400	1993	119	54
055B	4	1391	630	1085	492	1159	525	905	410	-	-	-	-	4540	2057	119	54
060B	4	1410	639	1099	498	1175	532	916	415	-	-	-	-	4600	2084	142	65
065B	4	1382	626	1214	550	1205	546	1059	480	-	-	-	-	4860	2202	142	65
070B	4	1419	643	1246	564	1238	561	1087	492	-	-	-	-	4990	2260	217	99
075B	6	1854	840	1411	639	1854	840	1411	639	-	-	-	-	6530	2958	217	99
085B	6	1942	880	1479	670	1856	841	1413	640	-	-	-	-	6690	3031	217	99
090B	6	1975	895	1450	657	1975	895	1450	657	-	-	-	-	6850	3103	217	99
100B	8	1464	663	1341	607	1219	552	1400	634	1282	581	1164	527	7870	3565	289	131
110B	8	1513	685	1358	615	1204	545	1513	685	1358	615	1204	545	8150	3692	289	131
120B	8	1656	750	1486	673	1317	597	1582	717	1420	643	1259	570	8720	3950	289	131
130B	8	1714	776	1508	683	1303	590	1714	776	1508	683	1303	590	9050	4100	289	131

NOTE (1): Additional weight for copper coils is per mounting location.

Table 3, Isolator Kit Numbers

AGZ Model	026, 030 035	040, 045 050	055	060	065, 070	075, 085 090	100	110	120,130
Spring Kit Part No.	330349603	330349603	330349605	330349606	330349607	330349609	330349612	330349613	330349614
R-I-S Kit Part No.	330349702	330349703	330349704	330349704	330349705	330349706	330349707	330349708	330349709

Table 4, Isolator Locations

AGZ-B, Chillers														
Unit Size	Operating Weight.		Neoprene-In-Shear Mountings						Spring-Flex Mountings					
	lbs	kg	1	2	3	4	5	6	1	2	3	4	5	6
026B	3990	1807	Black	Gray	Gray	Gray	-	-	Orange	Purple	Purple	Red	-	-
030B	4040	1830	Black	Gray	Gray	Gray	-	-	Orange	Purple	Purple	Red	-	-
035B	4080	1848	Black	Gray	Gray	Gray	-	-	Orange	Purple	Purple	Red	-	-
040B	4130	1871	Black	Gray	Black	Gray	-	-	Orange	Purple	Purple	Red	-	-
045B	4270	1934	Black	Gray	Black	Gray	-	-	Orange	Purple	Purple	Red	-	-
050B	4400	1993	Black	Gray	Black	Gray	-	-	Orange	Purple	Purple	Red	-	-
055B	4540	2057	Black	Black	Black	Gray	-	-	Orange	Purple	Purple	Purple	-	-
060B	4600	2084	Black	Black	Black	Gray	-	-	Orange	Purple	Orange	Purple	-	-
065B	4860	2202	Black	Black	Black	Black	-	-	Orange	Orange	Orange	Purple	-	-
070B	4990	2260	Black	Black	Black	Black	-	-	Orange	Orange	Orange	Purple	-	-
075B	6530	2958	Red	Black	Red	Black	-	-	Gray	Orange	Gray	Orange	-	-
085B	6690	3031	Red	Black	Red	Black	-	-	Gray	Orange	Gray	Orange	-	-
090B	6850	3103	Red	Black	Red	Black	-	-	Gray	Orange	Gray	Orange	-	-
100B	7870	3565	Black	Black	Black	Black	Black	Black	Orange	Orange	Orange	Orange	Orange	Orange
110B	8150	3692	Red	Black	Black	Red	Black	Black	Green	Orange	Orange	Green	Orange	Orange
120B	8720	3950	Red	Red	Black	Red	Red	Black	Green	Green	Orange	Green	Green	Orange
130B	9050	4100	Red	Red	Black	Red	Red	Black	Green	Green	Orange	Green	Green	Orange

NOTES:

1. Neoprene-in-shear isolators: Gray=RP-3 Gray, Black=RP-4 Black, Red=RP-4 Red.